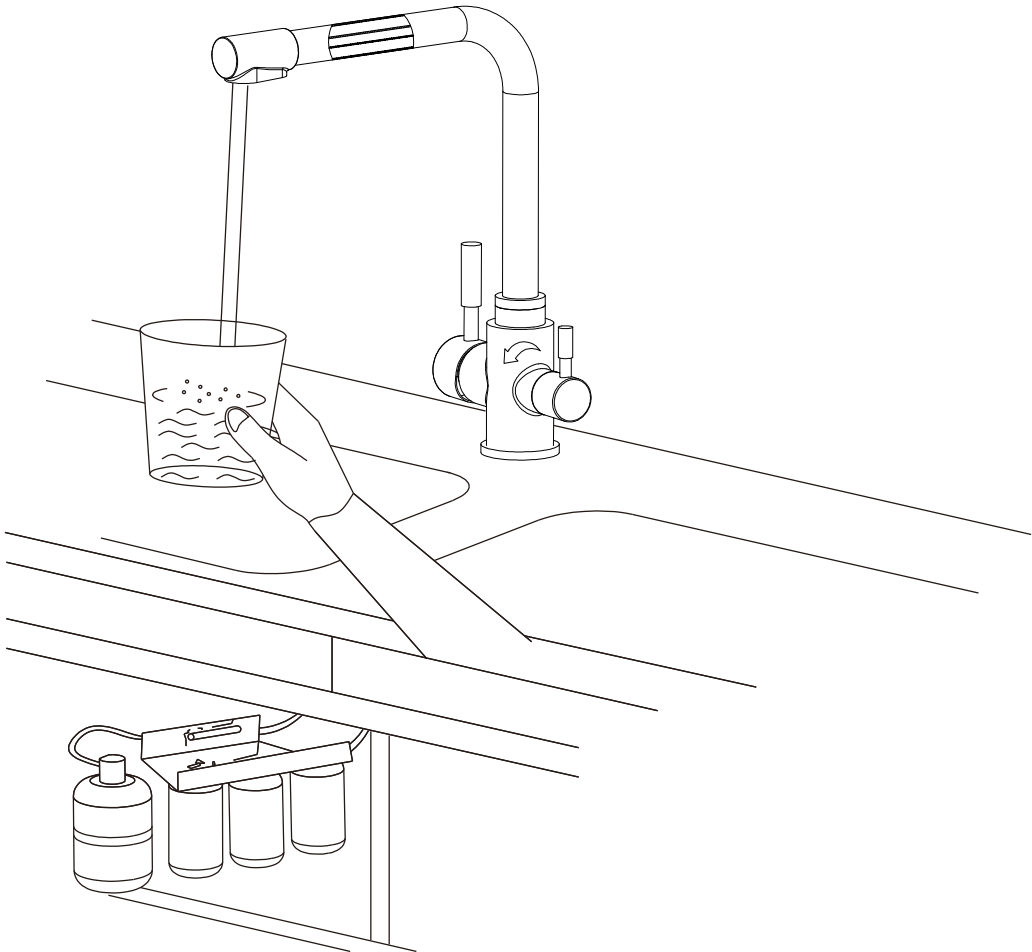




PREMIER

Pure quality

Three Way Kitchen Faucet

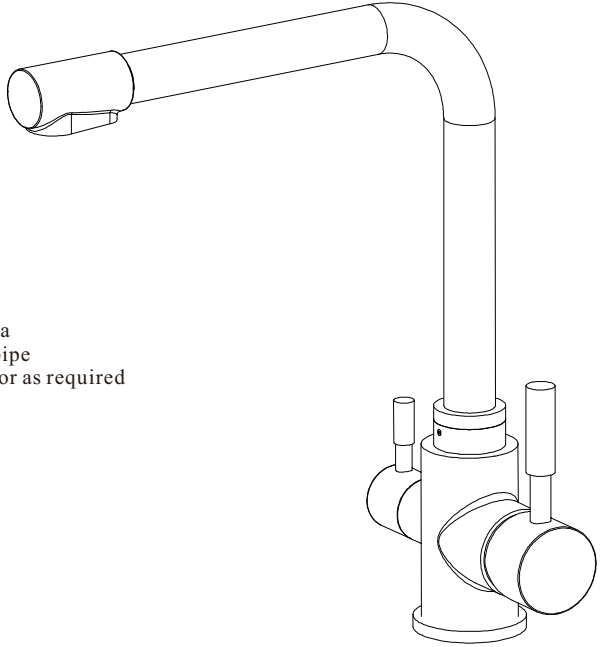


Installation Instruction

Three Way Kitchen Faucet

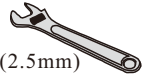
Specification

1. Material: 304 Stainless steel
2. Ceramic valve cartridge
3. Flow rated: 2.2G/M base on 0.5Mpa
4. 1/4" Connector for filtered water pipe
5. G-3/8 or G-1/2 Hose pipe connector as required



Installing tools

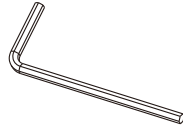
- * Allen wrench (2.5mm)
- * Pipe tape
- * Monkey wrench



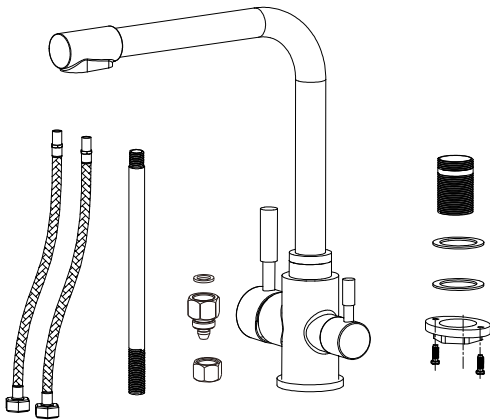
Allen wrench (2.5mm)



Pipe tape



Monkey wrench

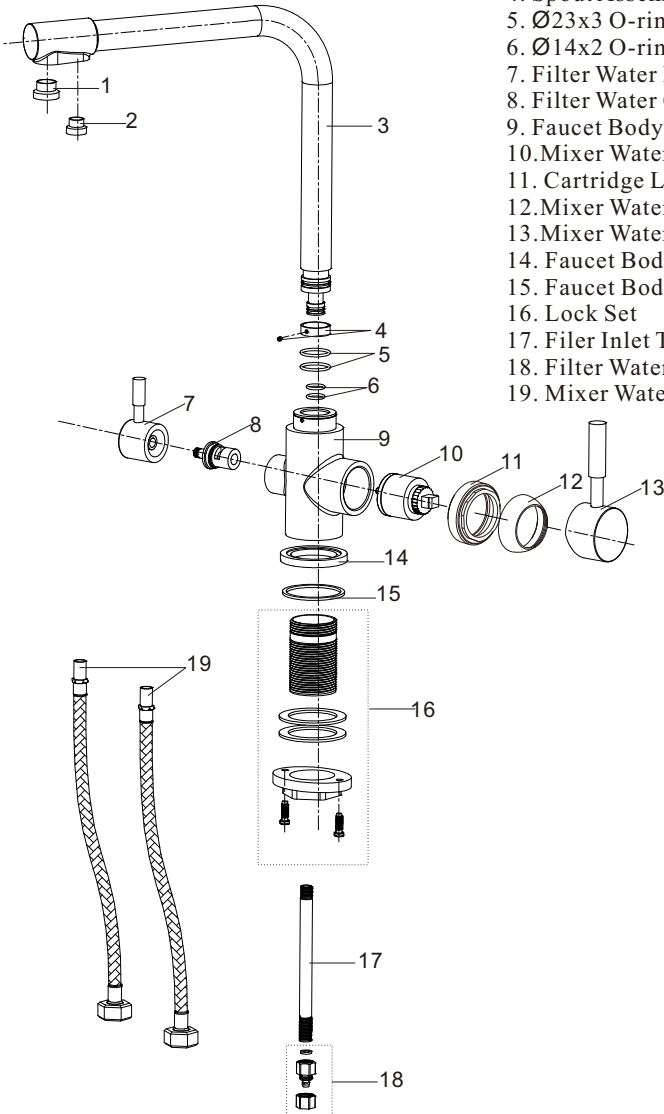


Accessories:

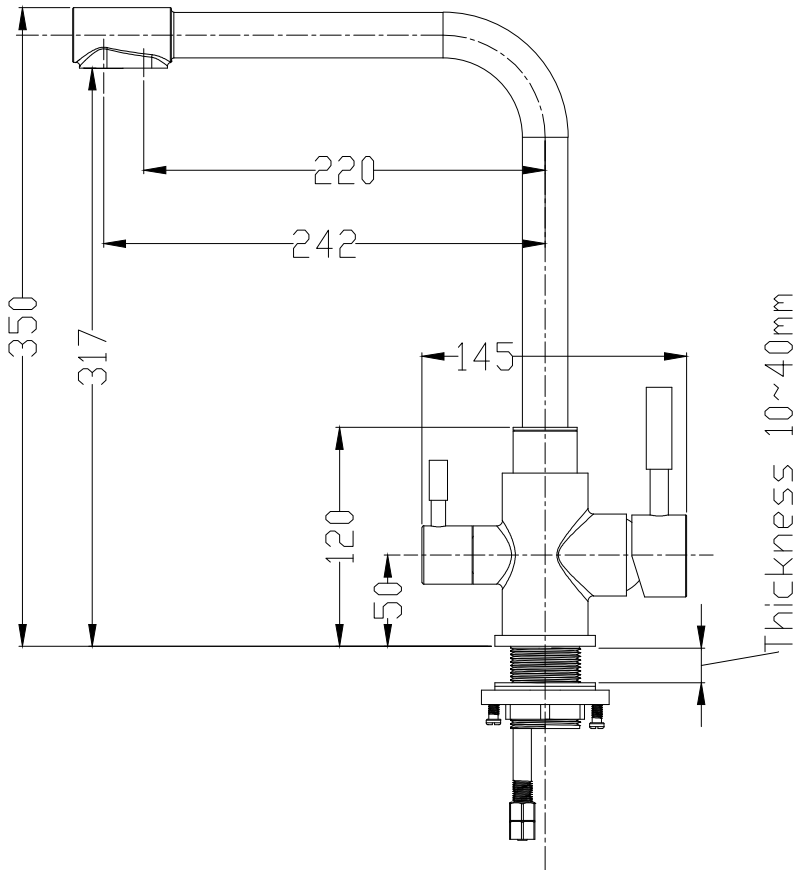
1. 2Pcs hot and cold stainless steel hoses ,
2. 1sets water filter adapter ;
3. 1pcs rubber gasket ,
4. 1Pcs stainless steel gasket

Replacement Parts

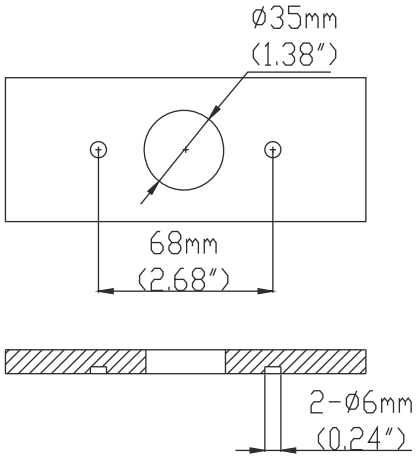
1. Mixer Water Bubbles
2. Filter Water Bubbles
3. Spout Assembly
4. Spout Assembly Lock Ring set
5. $\text{\O}23 \times 3$ O-ring x 2
6. $\text{\O}14 \times 2$ O-ring x 2
7. Filter Water Level Set
8. Filter Water Cartridge
9. Faucet Body
10. Mixer Water Cartridge
11. Cartridge Lock
12. Mixer Water Cartridge Cover
13. Mixer Water Level set
14. Faucet Body Base
15. Faucet Body O-ring $\text{\O}42 \times 2.5$
16. Lock Set
17. Filter Inlet Tube
18. Filter Water Pipe Adapter
19. Mixer Water Hose (Maybe not included)



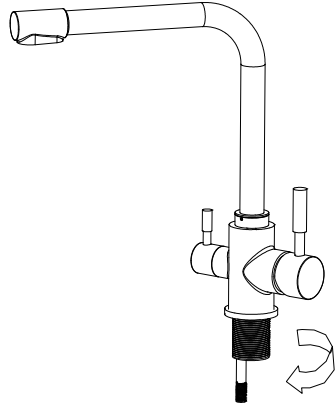
Profile Drawing



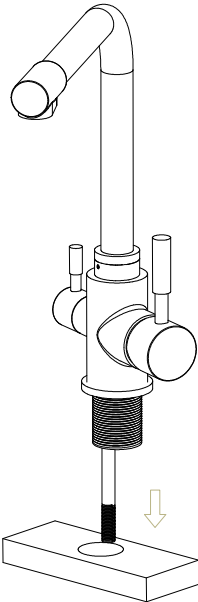
Faucet Installation Procedures



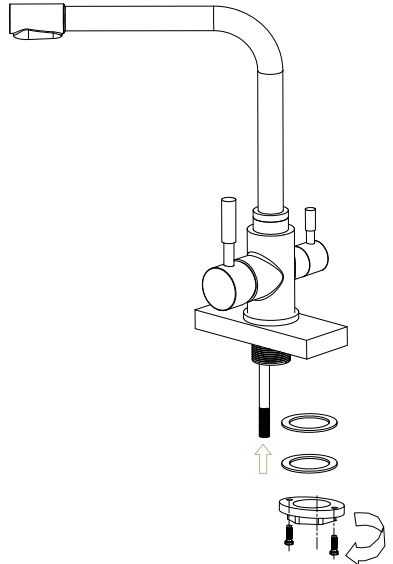
Step ①



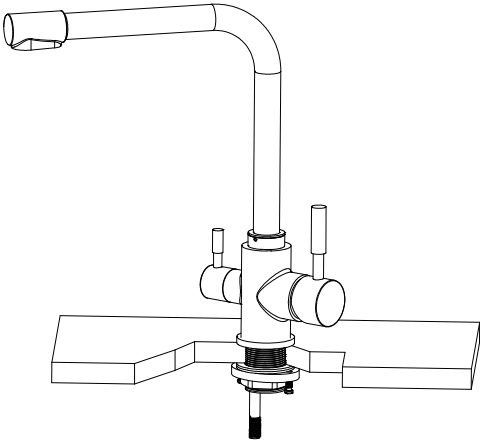
Step ②



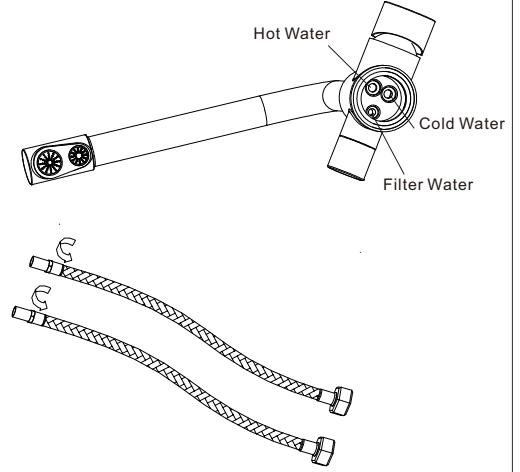
Step ③



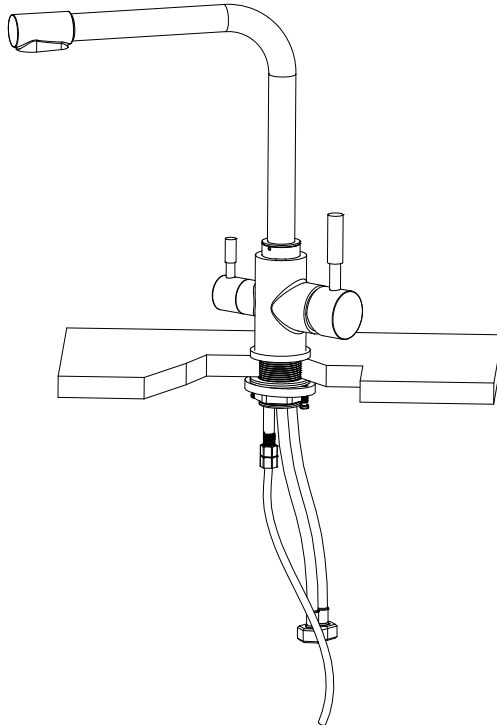
Step ④



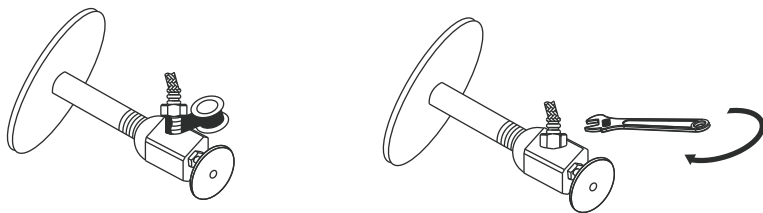
Step ⑤



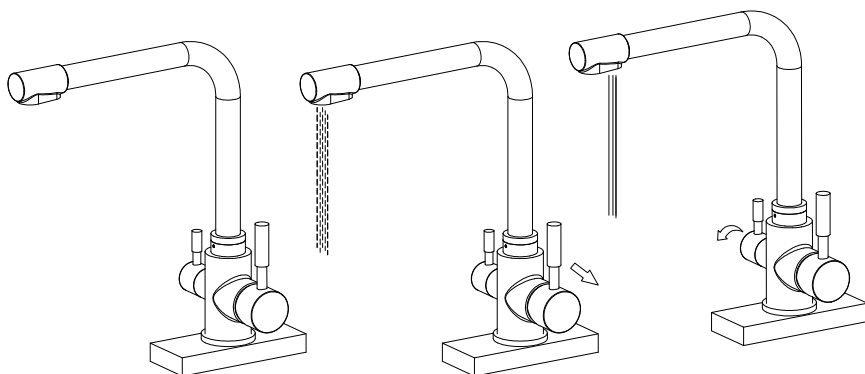
Step ⑥



Step ⑦



Step ⑧



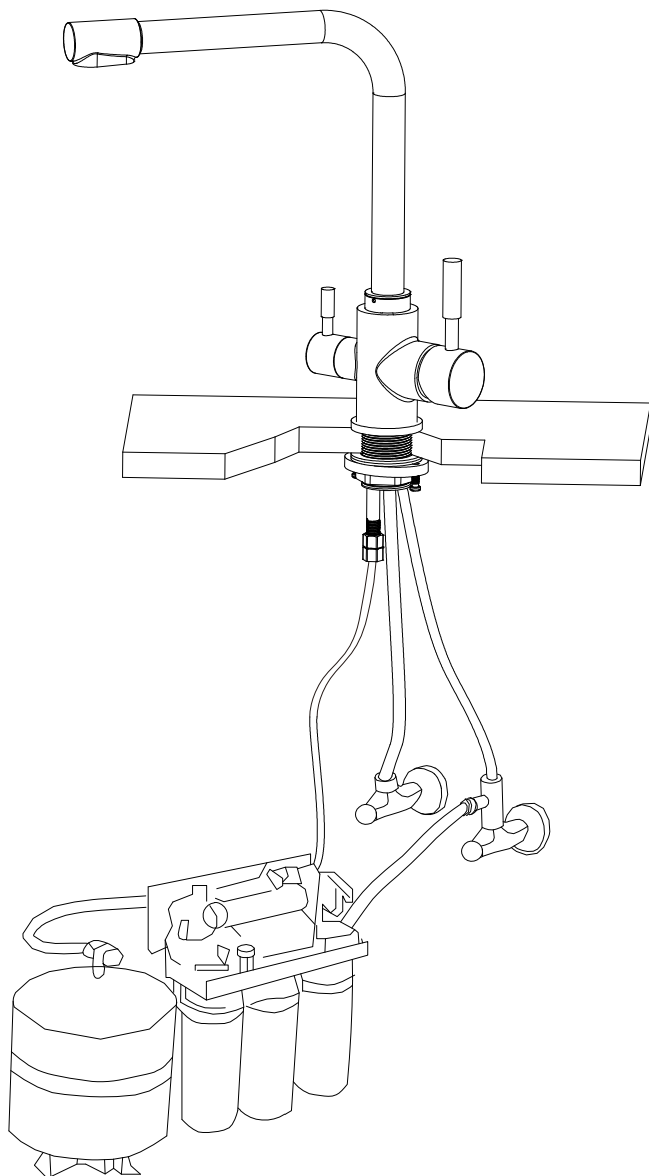
Notice

Please removal all the sand, silt etc. anything maybe block the cartridge before fixed to your kitchen Counter top. If the faucet cannot work, please send to a qualified person to repair it

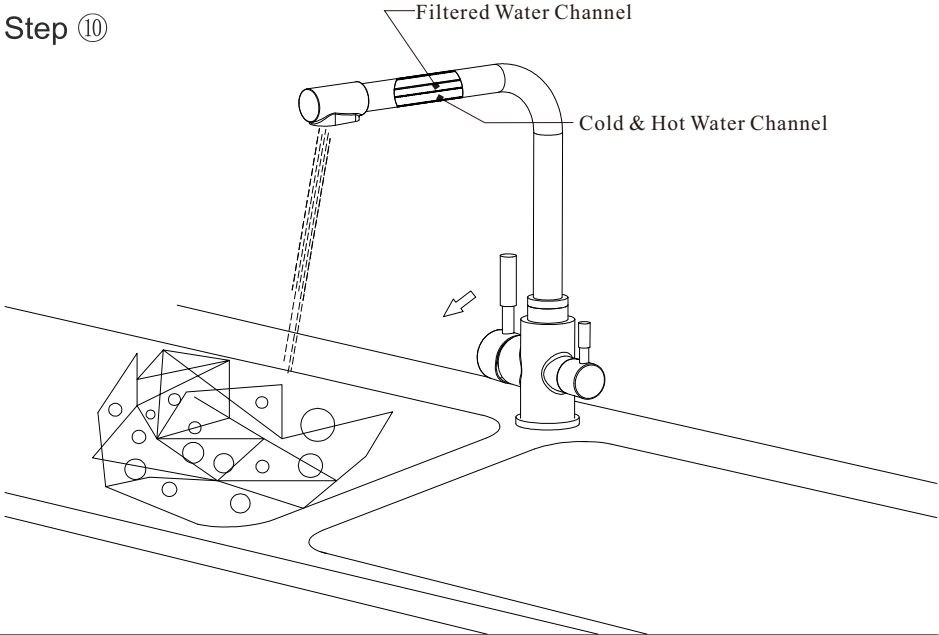
Bemerkung :

Sorgen Sie bitte dafür, dass auch das Leitungswasser frei von Sedimenten ist, die sich in der , Kartusche absetzen und die Funktion stören könnten. Im Falle einer Blockierung die Kartusche raus schrauben und unter starkem Wasserstrahl reinigen.

Step ⑨



Step ⑩



Step ⑪

