

# Aluminium Wall Box

## Junction box for associated system pipework

### Overview

John Guest aluminium wall plate fitting allows for pipework to be centralised from a single point. Fast and simple to install, John Guest Air and Pneumatics creates an instant connection and airtight seal without the need for tools, hot works or sealing agents. Air piping systems can be set up and installed 50% quicker than traditional methods.

The unique collet locking design firmly and securely holds the pipe in place without deforming the pipe or restricting flow. Fittings are also fully demountable, reducing system downtime during maintenance and making it quick and easy to modify or extend systems.

Designed in aluminium, fittings are compatible with John Guest nylon, powder coated aluminium or LLDPE tubing, as well as copper, PEXa and other soft metal pipe materials. All John Guest fittings are manufactured and assembled in the UK.



### Features & Benefits

- Aluminium wall mounted junction fitting
- Three equal FBSP connection points and plugs
- Airtight connection with superior flow characteristics
- Instant push-fit connection and demountable without tools
- Secure collet cover prevents accidental disconnection
- Suitable for air and pneumatics piping systems up to 10 bar
- Ideal for air, inert gases and vacuum applications
- Food grade fitting suitable for potable liquids
- Compatible with soft metal or plastic pipe/tubing

Product code	Description	Size	Bag QTY
JGWALLBOX1/2	Aluminium Wall Box	1/2"	1
JGWALLBOX3/4	Aluminium Wall Box	3/4"	1



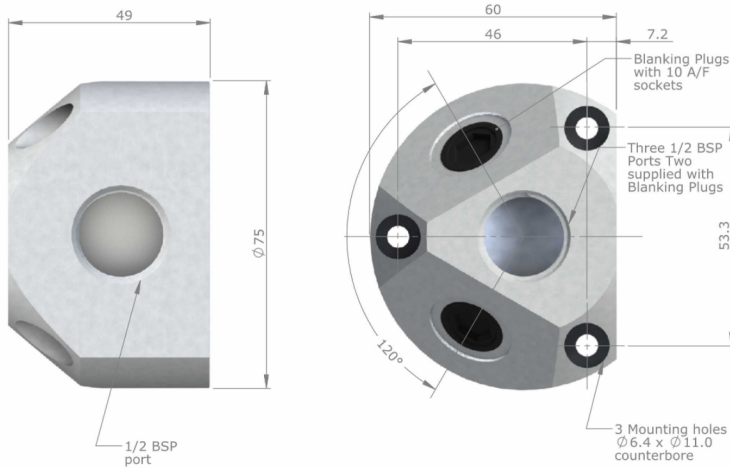
# Aluminium Wall Box

## Working parameters & specifications

Application	Maximum working pressure, bar
Air	16 Bar

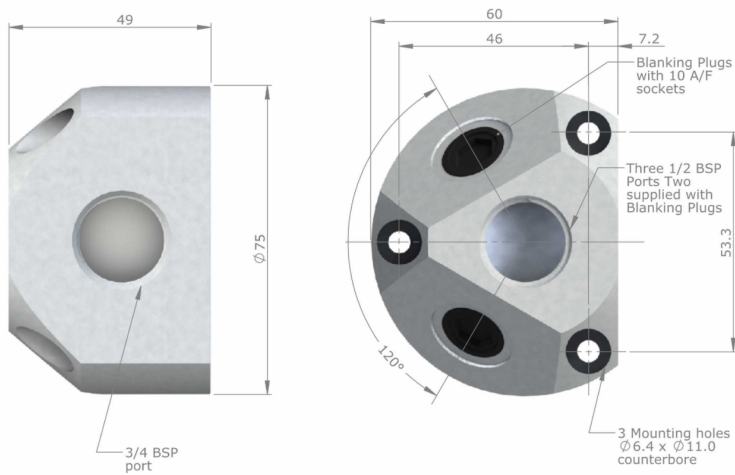
Materials	
Body	Aluminum
O-Ring	Nitrile, Black
Plugs	Nylon

## Dimensions – All measurements in mm unless otherwise stated



JGWALLBOX1/2

Dimensions in mm - nominal unless stated otherwise



JGWALLBOX3/4

Dimensions in mm - nominal unless stated otherwise